

## DIMENSIONS & WEIGHTS LONG PATTERN

### Flanged Ball Valves

Full bore; long pattern ( **MV-211** and **MV-111** )

PN-16 ( C.S. and S.S. ) - **MV-211**-DN 65 through DN 100: Flanges according to DIN 2543

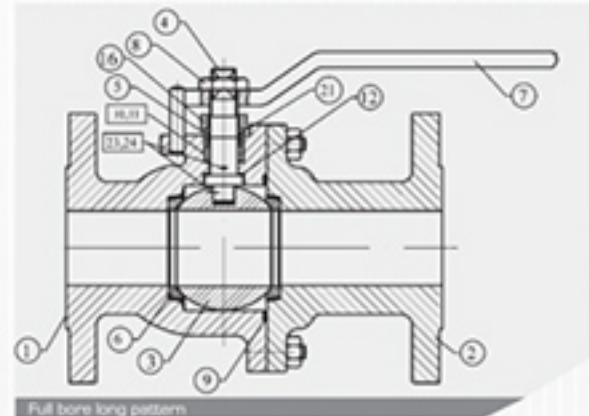
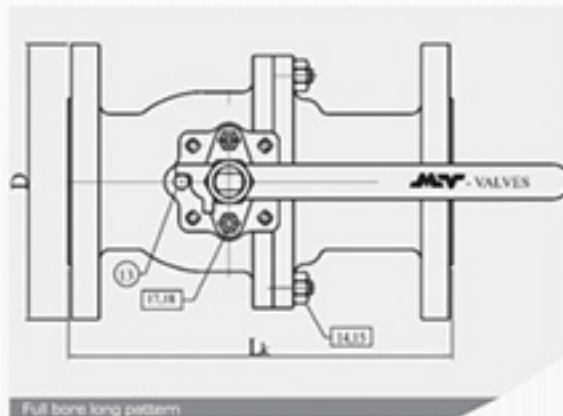
PN-40 ( C.S. and S.S. ) - **MV-111**-DN 15 through DN 100: Flanges according to DIN 2545

FACE TO FACE ( Long pattern ) :  $L_k$  [the same for all ratings]

DN 15 through DN 100 according to DIN 3357 / DIN 3202 F1 / ISO 5752

### Upon request :

DN 150 through DN 300 according to DIN 3357 / DIN 3202 F7 / ISO 5752



VALVE Size	[d] bore dia.	$L_k$ length	D.Flange dia		P.Handle length		H.Center to top of handle		WEIGHT Kg.	
			PN-16	PN-40	PN-16	PN-40	PN-16	PN-40	PN-16	PN-40
15	12.7	130	95		130		60		3.2	
20	19	150	105		130		65		8.4	
25	25.4	160	115		160		80		6	
32	30	180	140		200		95		9	
40	38	200	150		210		105		10.9	
50	50	230	165		210		120		13.5	
65	64	290	185		350		170		22	
80	76.2	310	200		565		194		26	29.5
100	98	350	220	235	610		260		35	36.5

\* C.S. : Carbon steel

\* S.S. : Stainless Steel

● Also available with gear box or actuator