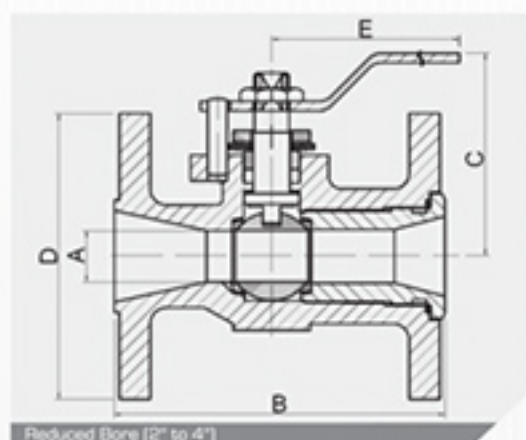
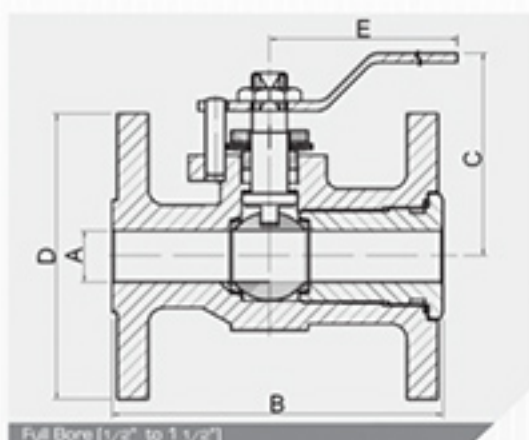


DIMENSIONS & WEIGHTS CLASS 150

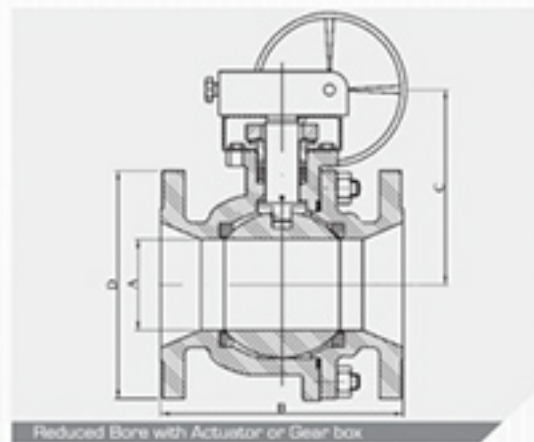
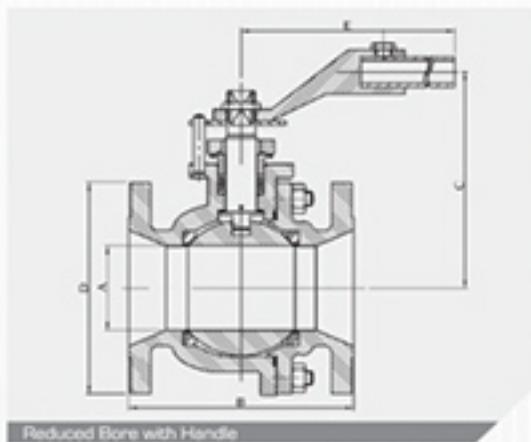
Cast material ASTM A216 WCB & ASTM A351 CF8M

Unibody - **MV470**

| SIZE | A: bore diameter | | B: face to face | | D: Flange diamet. | | C: Center to handle | | E: Handle length | | Weight | |
|--------|------------------|------|-----------------|-----|-------------------|-------|---------------------|-------|------------------|-----|--------|-------|
| | Inch. | mm. | Inch. | mm. | Inch. | mm. | Inch. | mm. | Inch. | mm. | lb. | Kg. |
| 1/2" | 1/2" | 12.7 | 4 1/4" | 108 | 3 1/2" | 88.9 | 2 5/8" | 67 | 5 17/32" | 140 | 3.30 | 1.50 |
| 3/4" | 3/4" | 19 | 4 5/8" | 117 | 3 7/8" | 98.4 | 2 27/32" | 73 | 7 17/32" | 192 | 4.40 | 2.00 |
| 1" | 1" | 25.4 | 5" | 127 | 4 1/4" | 107.9 | 3 29/32" | 100 | 7 23/32" | 196 | 6.61 | 3.00 |
| 1 1/2" | 1 1/2" | 38 | 6 1/2" | 165 | 5" | 127 | 4 11/32" | 110 | 10 11/16" | 271 | 14.33 | 6.50 |
| 2" | 1 1/2" | 38 | 7" | 178 | 6" | 152.4 | 4 3/4" | 120.7 | 10 3/4" | 273 | 18.74 | 8.50 |
| 3" | 2 1/4" | 57.1 | 8" | 203 | 7 1/2" | 190.5 | 7 3/4" | 197 | 22 1/4" | 565 | 36.38 | 16.50 |
| 4" | 3" | 76.2 | 9" | 229 | 9" | 228.6 | 10 1/4" | 260 | 24" | 610 | 52.90 | 24.00 |

DIMENSIONS & WEIGHTS CLASS 150

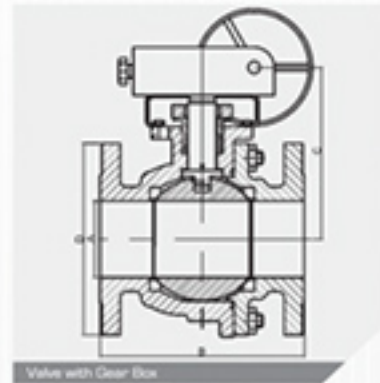
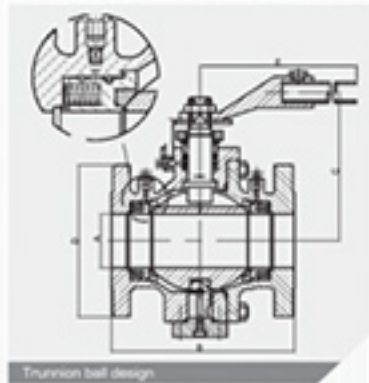
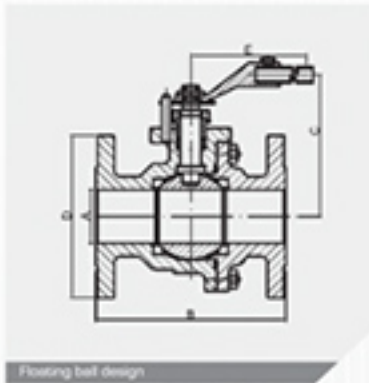
Cast material ASTM A216 WCB & ASTM A351 CF8M

Split body - **MV400**

| SIZE | A : bore diameter | | B : face to face | | D : Flange diamet. | | C Center to handle | | E : Handle length | | Weight | |
|------|-------------------|-------|------------------|-----|--------------------|-------|---|-----|-------------------|-----|--------|-------|
| | Inch. | mm. | Inch. | mm. | Inch. | mm. | Inch. | mm. | Inch. | mm. | lb. | Kg. |
| 6" | 4" | 101.6 | 10 1/2" | 267 | 11" | 279.4 | 10 1/2" | 267 | 36" | 914 | 123.5 | 56.0 |
| 8" | 6" | 152.4 | 11 1/2" | 292 | 13 1/2" | 342.9 | - Standard product with gear box - Dimensions varies according to type of gear box. | | | | 211.6 | 96.0 |
| 10" | 8" | 203.2 | 13" | 330 | 16" | 406.4 | | | | | 379.2 | 172.0 |
| 12" | 10" | 254 | 14" | 356 | 19" | 482.6 | | | | | 650.0 | 295.0 |

DIMENSIONS & WEIGHTS CLASS 150

Cast material ASTM A216 WCB & ASTM A351 CF8M

Split Body - **MV 410**
Full Bore

| SIZE | Type | | A : bore diameter | | B : face to face | | D : Flange diamet. | | C:Center to handle | | E : Handle length | | Weight | |
|--------|----------|---------|-------------------|-------|------------------|-----|--------------------|-------|--------------------|-----|-------------------|-----|--------|-----|
| | Floating | Trunion | Inch. | mm. | Inch. | mm. | Inch. | mm. | Inch. | mm. | Inch. | mm. | lb. | Kg |
| 2" | ✓ | - | 2" | 50 | 7" | 178 | 6" | 152.4 | 4 1/2" | 118 | 8" | 204 | 24.3 | 11 |
| 2 1/2" | ✓ | - | 2 1/2" | 64 | 7 1/2" | 191 | 7" | 177.8 | 6 1/2" | 165 | 12" | 305 | 39.7 | 18 |
| 3" | ✓ | ✓ | 3" | 76.2 | 8" | 203 | 7 1/2" | 190.5 | 7 1/2" | 194 | 22 1/4" | 565 | 46.30 | 21 |
| 4" | ✓ | ✓ | 4" | 101.6 | 9" | 229 | 9" | 228.6 | 10 1/4" | 260 | 24" | 610 | 79.34 | 36 |
| 6" | ✓ | ✓ | 6" | 152.4 | 15 1/2" | 394 | 11" | 279.4 | 10 1/2" | 267 | 36" | 914 | 183 | 83 |
| 8" | ✓ | ✓ | 8" | 203.2 | 18" | 457 | 13 1/2" | 342.9 | | | | | 425.6 | 193 |
| 10" | ✓ | ✓ | 10" | 254 | 21" | 533 | 16" | 406.4 | | | | | 685.7 | 311 |
| 12" | ✓ | ✓ | 12" | 304.8 | 24" | 610 | 19" | 482.6 | | | | | 972.4 | 441 |
| 14" | - | ✓ | 14" | 350 | 27" | 686 | 21" | 533.4 | | | | | 1256.8 | 570 |
| 16" | - | ✓ | 16" | 400 | 30" | 762 | 23 1/2" | 597 | | | | | 1856.5 | 842 |

- Standard product with gear box
- Dimensions varies according to type of gear box.